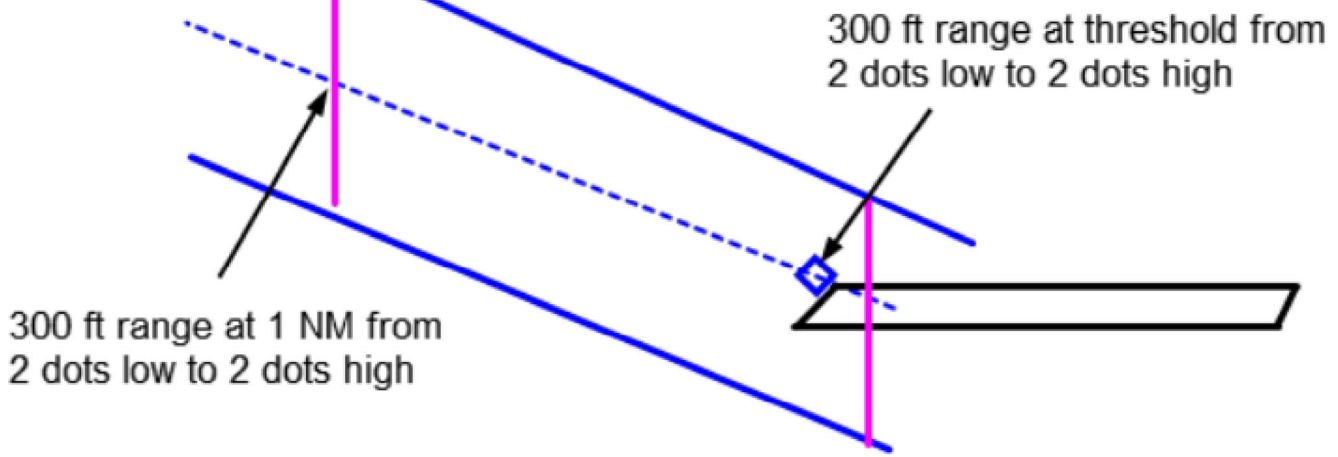


VNAV Approach



LPV Approach

148 ft range at 1 NM from 2 dots low to 2 dots high

